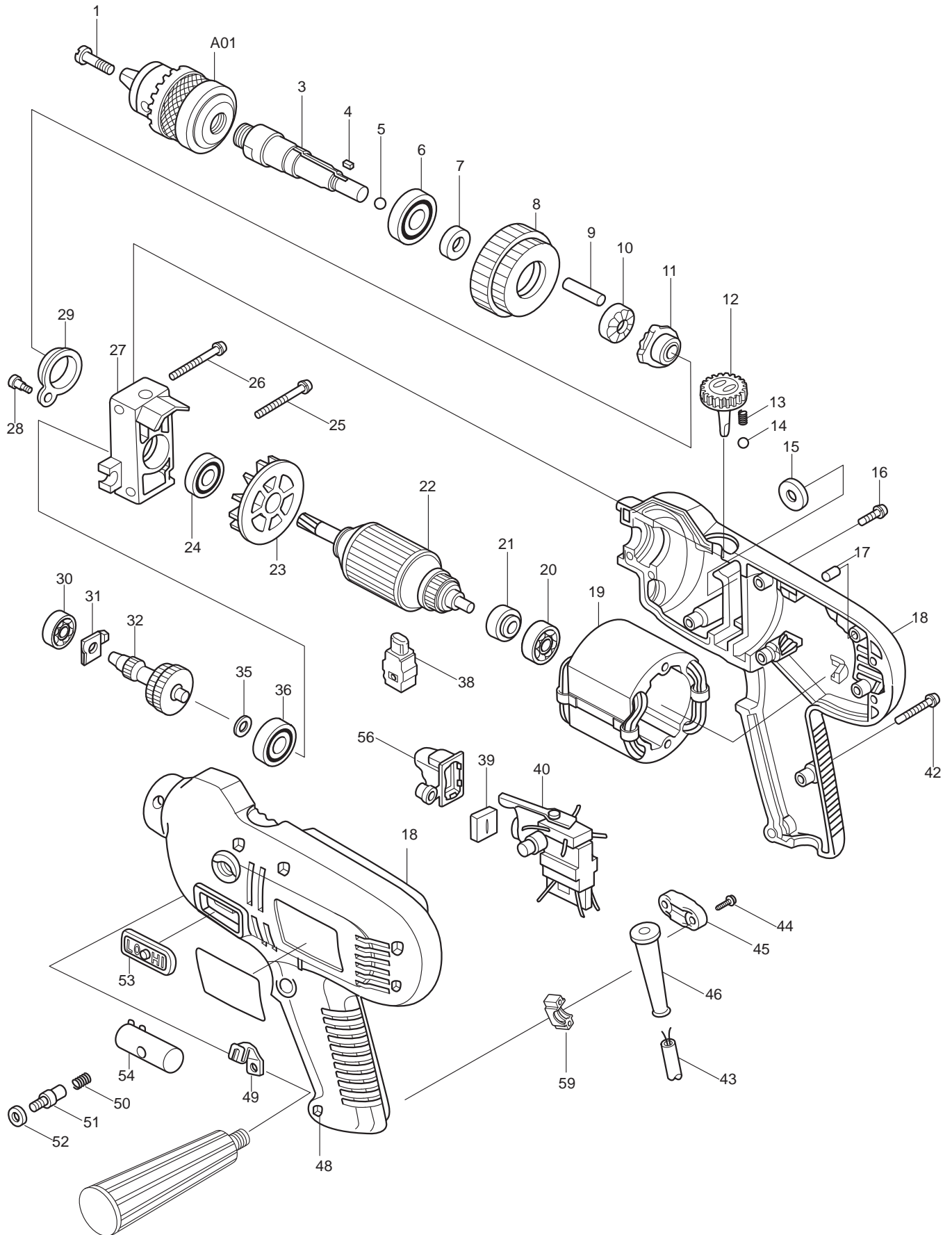




05 - 2009
NHP1310 (HP1310)
1/2" HAMMER DRILL



Item No	Type	Ref	Part No	Description	Qty	Unit
1			251425-3	- FLAT HEAD SCREW M6X22	1	PC.
3	1		321332-5	SPINDLE	1	PC.
	2		321333-3	SPINDLE	1	PC.
4			254011-9	WOODRUFF KEY 4	1	PC.
5			216002-8	STEEL BALL 4.8	1	PC.
6			211206-7	BALL BEARING 6202LLB	1	PC.
7			257074-4	RING 13	1	PC.
8			226050-9	GEAR COMPLETE 47-57	1	PC.
9			256103-0	PIN 4	1	PC.
10			223056-8	CAM B	1	PC.
11			153129-2	CAM COMPLETE	1	PC.
12			271407-9	SCREW 23	1	PC.
13			231282-5	COMPRESSION SPRING 2.4	1	PC.
14			216001-0	STEEL BALL 3.5	1	PC.
15			261046-3	WASHER 4	1	PC.
16			911113-1	PAN HEAD SCREW M4X10	1	PC.
17			263002-9	RUBBER PIN 4	2	PC.
18	1		182513-4	* HOUSING SET	1	SET
		INC.		Item No. 17	1	PC
	2		182800-1	* HOUSING SET	1	SET
		INC.		Item No. 17	1	PC
19			533216-7	FIELD	1	PC.
20			211028-5	BALL BEARING 627LB	1	PC.
21			681614-0	INSULATION WASHER	1	PC.
22			511996-5	ARMATURE ASS'Y 115V	1	PC.
		INC.		Item No. 20, 21, 23, 24	1	PC
23			241814-0	FAN 62	1	PC.
24			211028-5	BALL BEARING 627LB	1	PC.
25			911166-0	PAN HEAD SCREW M4X40	1	PC.
26			911161-0	PAN HEAD SCREW M4X35	1	PC.
27			315219-1	BEARING CASE	1	PC.
28			911106-8	PAN HEAD SCREW M4X8	1	PC.
29			341628-8	CAM RETAINER	1	PC.
30			210047-8	BALL BEARING 626Z	1	PC.
31			341658-9	GREASE WIPER	1	PC.
32			153166-6	GEAR COMPLETE 11-21-38	1	PC.
35			253715-0	FLAT WASHER 6	1	PC.
36			210047-8	BALL BEARING 626Z	1	PC.
38	1		191910-3	CARBON BRUSH CB-401 (2PC/SET) (W/O ORIGIN)	1	SET
	2		195005-4	CARBON BRUSH CB-401 (2PC/SET) (W/ ORIGIN)	1	SET
39			685721-1	* SPONGE SHEET	1	PC.
40	1		651842-1	* SWITCH 8907K-445	1	PC.
	2		650596-7	* SWITCH SGEL108CVR-3A	1	PC.
42			911148-2	PAN HEAD SCREW M4X25	8	PC.
43			660002-4	CORD WITH PLUG 2P-18-2.0M, SJ (OPTION)	1	PC.
43			664002-6	CORD WITH PLUG 2P-18-2.0M, SJT	1	PC.
44	1		265941-9	TAPPING SCREW BT 4X18	2	PC.
	2		265995-6	TAPPING SCREW 4X18	2	PC.
45			687063-9	STRAIN RELIEF	1	PC.
46			682502-4	CORD GUARD 8-85	1	PC.
48			931102-0	HEX NUT M4	1	PC.
49			342965-3	SHIFTER ROD RETAINER	1	PC.
50			231283-3	COMPRESSION SPRING 5	1	PC.

Item No	Type	Ref	Part No	Description	Qty	Unit
51			321222-2	SCREW	1	PC.
52			253821-1	FLAT WASHER 3	1	PC.
53			411720-5	CHANGE BUTTON	1	PC.
54			154269-9	SHIFTER ROD	1	PC.
56	1		421167-5	* DUST COVER	1	PC.
	2		421516-6	* DUST COVER	1	PC.
57			654069-2	RECEPTACLE (SWITCH/CARBON BRUSH)	2	PC.
58			686015-7	RECEPTACLE SLEEVE (F/RECEPTACLE)	2	PC.
59			687051-6	STRAIN RELIEF	1	PC.

ACCESSORIES

- See catalogue or visit www.makita.ca for more optional accessories -

A01			192877-8	1/2" DRILL CHUCK	1	PC.
	Opt		122574-2	1/2" DRILL CHUCK ATTACHMENT	1	PC.
		INC.	192877-8	1/2" DRILL CHUCK	1	PC.
		INC.	751106-4	CHUCK ADAPTOR	1	PC.
		INC.	251425-3	SCREW M6X22	1	PC
A02	1		798341-3	CHUCK KEY S13	1	PC
	2		763432-9	CHUCK KEY S13	1	PC.
A03			152491-2	GRIP 36 COMPLETE	1	PC.
A04			410102-8	KEY HOLDER	1	PC.
A05			765009-6	BLOW-OUT BULB	1	PC
A06			794048-9	WHEEL POINT 50-80P	1	PC
A07			321220-6	DEPTH ROD	1	PC.
A08			824700-6	PLASTIC CARRYING CASE	1	PC
		INC.	417496-2	LATCH	2	PC

SERVICE CHANGE

1. Change on Housing Set, Switch, Dust Cover and Elimination of Sponge Sheet

Item No.	Description	Type 1	Type 2
18	Housing Set	182513-4	182800-1
39	Sponge Sheet	685721-1	-----
40	Switch	651842-1	650596-7
56	Dust Cover	421167-5	421516-6

Above parts are completely interchangeable as a set.

